

# Enerack Carbon Steel Ground Mount Installation Manual

**(Two rows of solar panels)**



- > Disclaimer ..... 1
- > Components ..... 2
- > Tools ..... 3
- > Preparation ..... 4-7
- > Install Complete ..... 8
- > Warranty ..... 9

## Disclaimer

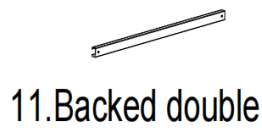
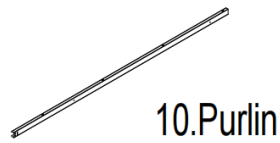
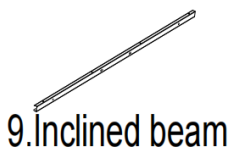
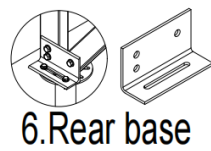
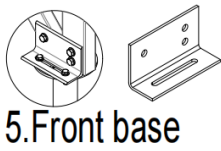
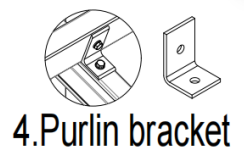
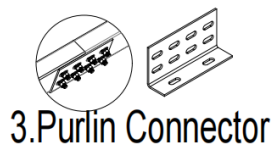
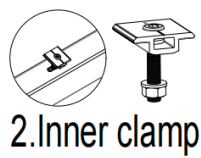
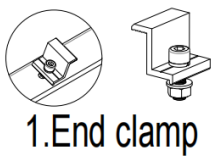
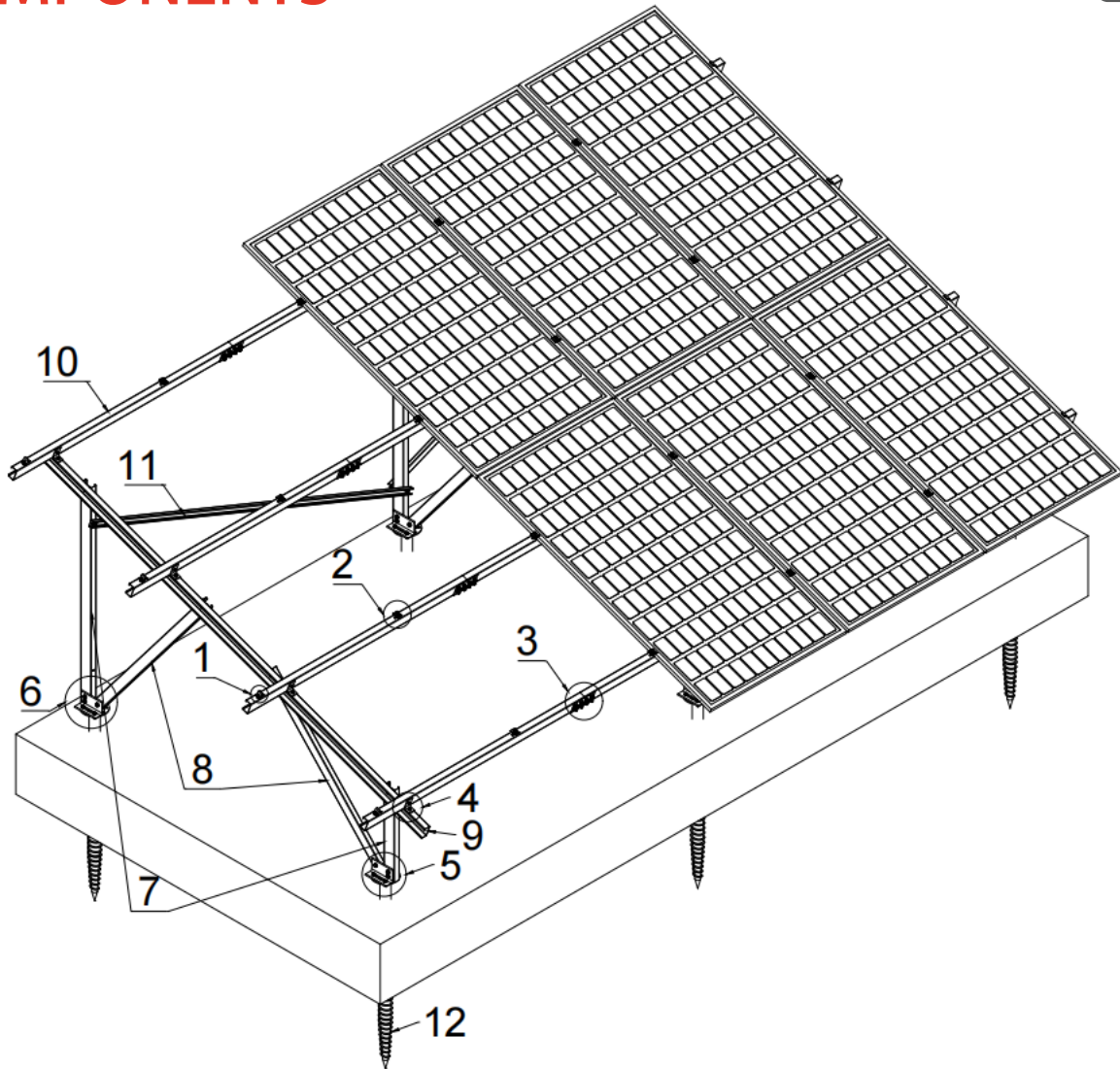
This manual describes the proper installation procedures and provides minimum standard required for product reliability and warranty. Thoroughly understanding this manual is imperative to proper installation.

## Please review the following before installation

- Ensure your work comply with local building codes and requirements, include any that may supersede this manual
- Ensure all products are appropriate for the installation, environments, and array under the site’s loading conditions.
- Ensure the installation is performed by licensed contractors, electrical installation must be conducted by licensed electrician. Ensure all work comply with local requirements.
- Use system components supplied by Enerack  
or parts recommended by Enerack.



This manual does not list all precautions needed for safe work. The installation must comply with health and safety requirements and other relevant standards and codes of practice. The manual provides guidelines for installation, but it does not guarantee the quality of installation work. Please complete the installation in a responsible and professional manner.



# TOOLS



6mm



Non-impact



19mm



>3m



1~2m



>6m



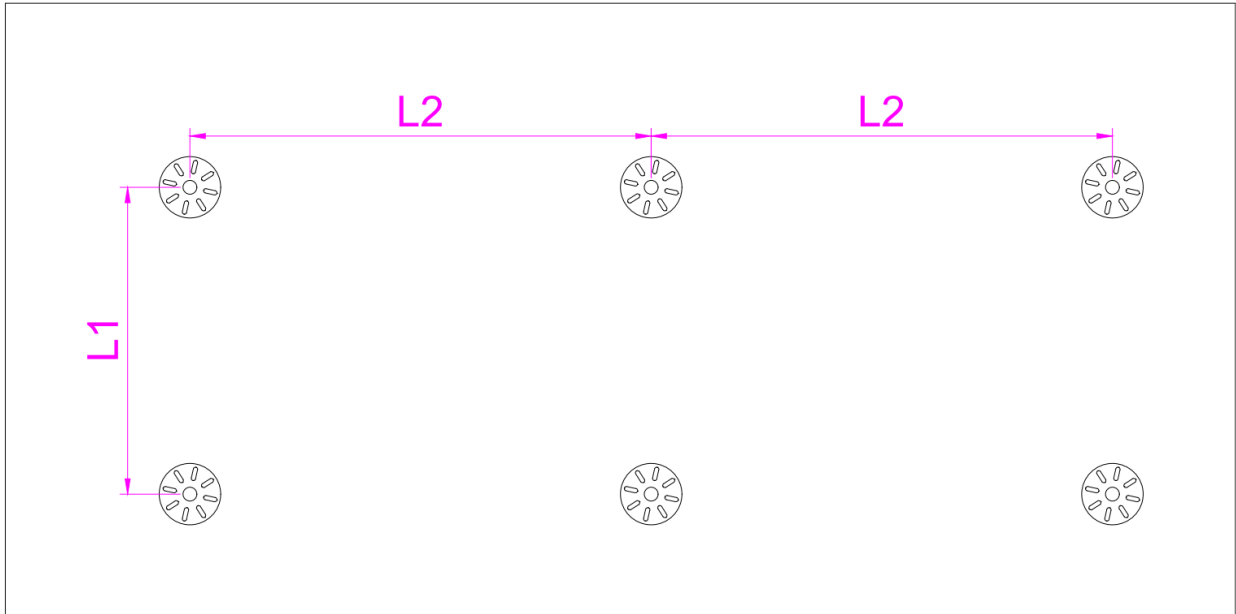
Wood hammer



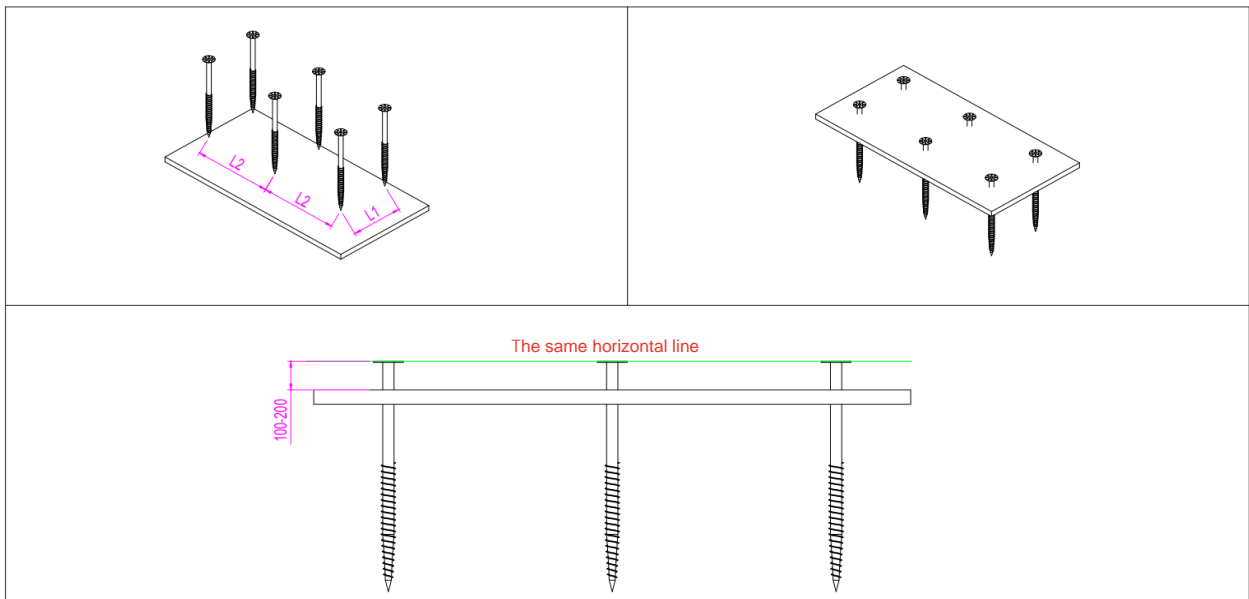
Pile driver

## 1: Positioning foundation

Install ground piles at the correct locations based on the drawing spans.  
Distance between spiral piles **L1,2** (please refer to the drawing)



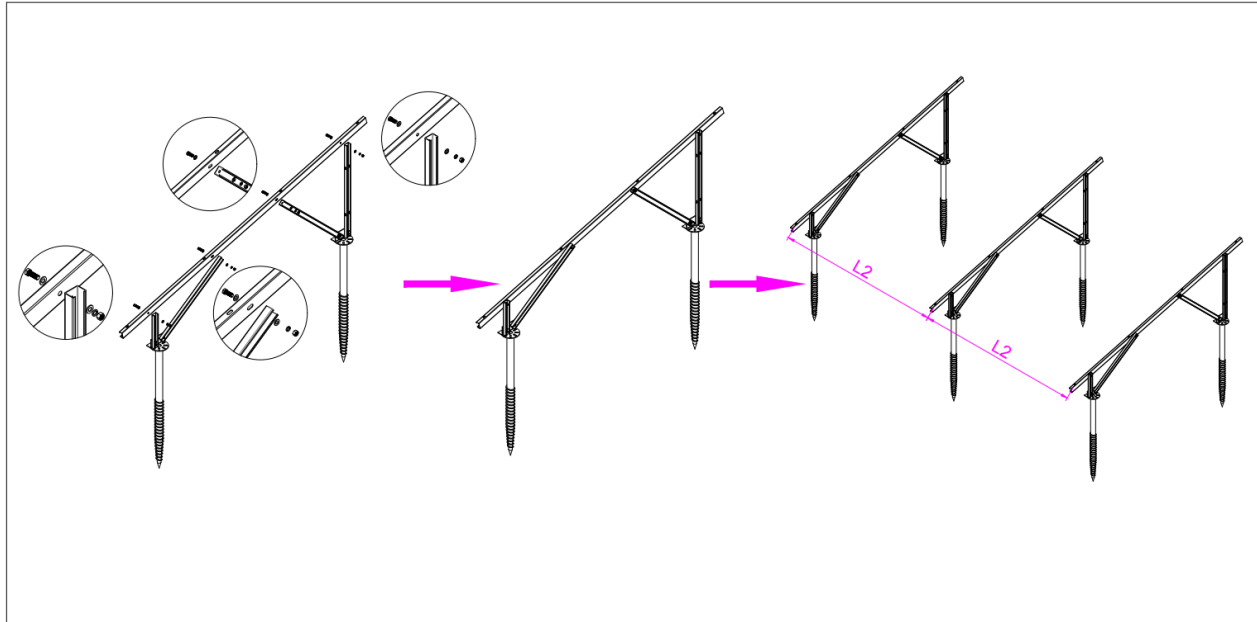
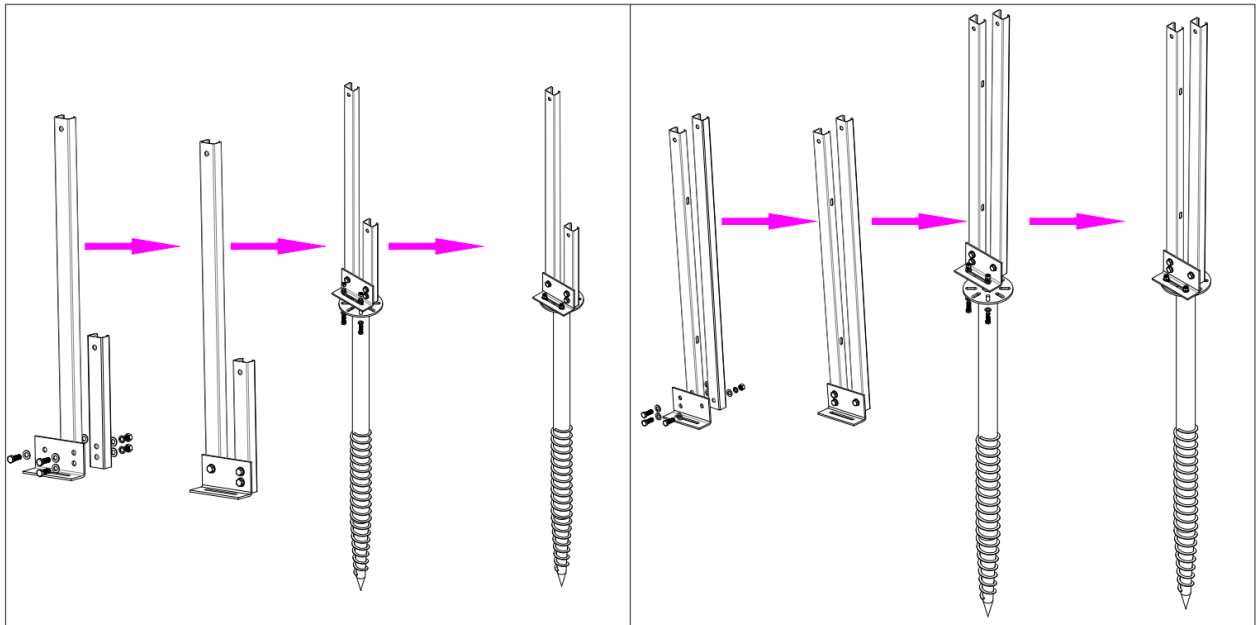
**Height Control:** Drive piles until the top is **100-200mm** above the ground to allow for bracket assembly.  
**Leveling:** Ensure all pile tops within the same array are aligned on **the same horizontal plane** after installation.



## 2: Installation of Posts, Braces, and Rafters

**Pre-assembly:** Assemble the posts, braces, and bases for both the low and high sides based on the design lengths.

**Pre-locking:** Do not fully tighten the hardware; ensure parts are loosely secured to allow for adjustment.



### IMPORTANT:

**Spacing Alignment:** To ensure purlin alignment with pre-drilled holes, maintain a uniform gap between rafters equal to the specified span.

**Leveling & Final Torquing:** Do not fully tighten bolts until all rafters are leveled on the same plane. Final locking should only occur after the final adjustment.

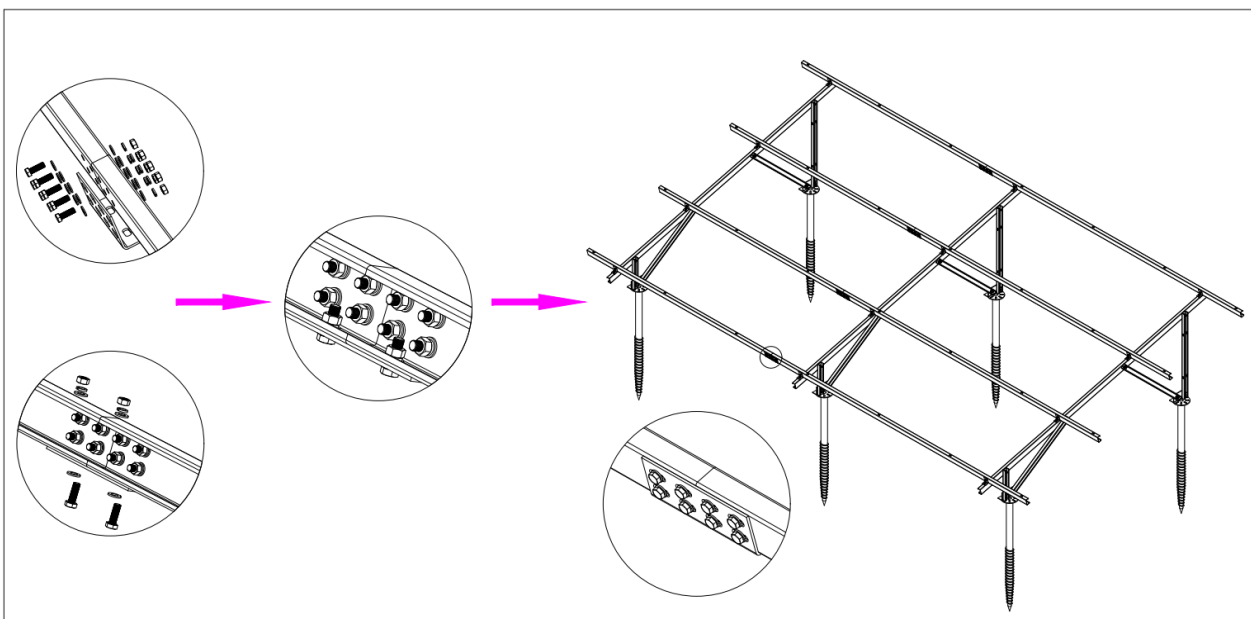
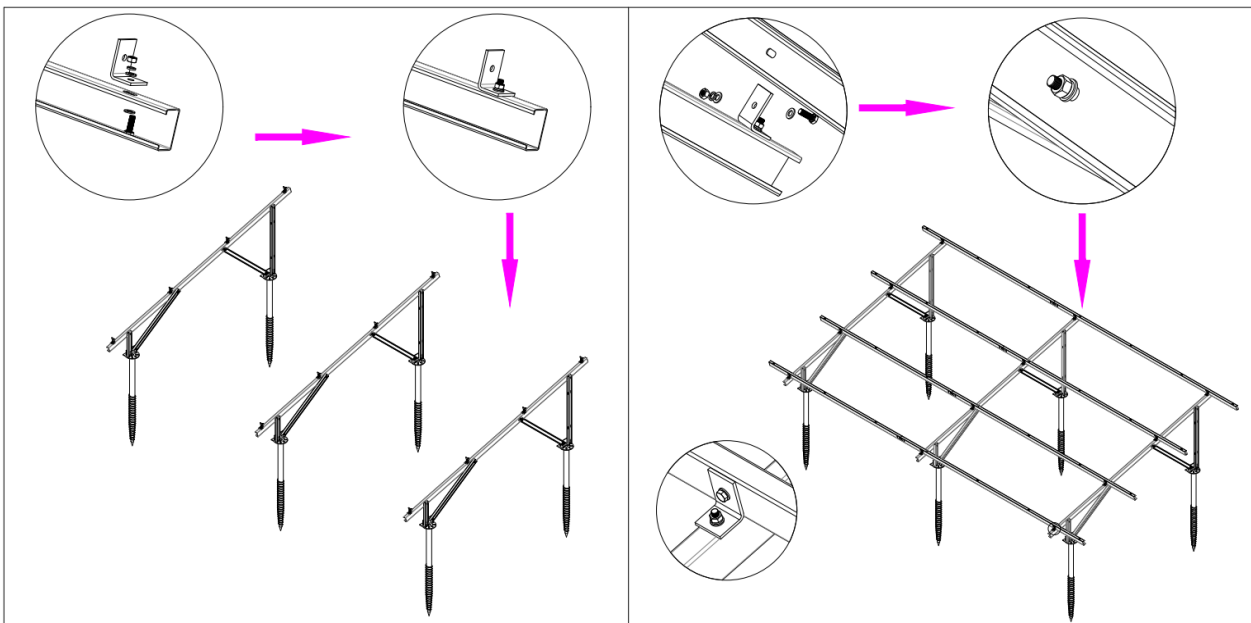
## 3: Purlin Installation

**Bracket Pre-assembly:** Pre-fasten the purlin brackets to the inclined beams. Do not fully tighten, allowing room for adjustments.

**Alignment:** To ensure smooth PV panel installation, all purlins (1 through 4) must be horizontally aligned and perfectly coplanar. Fully tighten the brackets only after achieving exact alignment.

**Mounting:** Place the purlins in their designated array positions. Position the purlin web flush against the bracket and secure tightly with bolts.

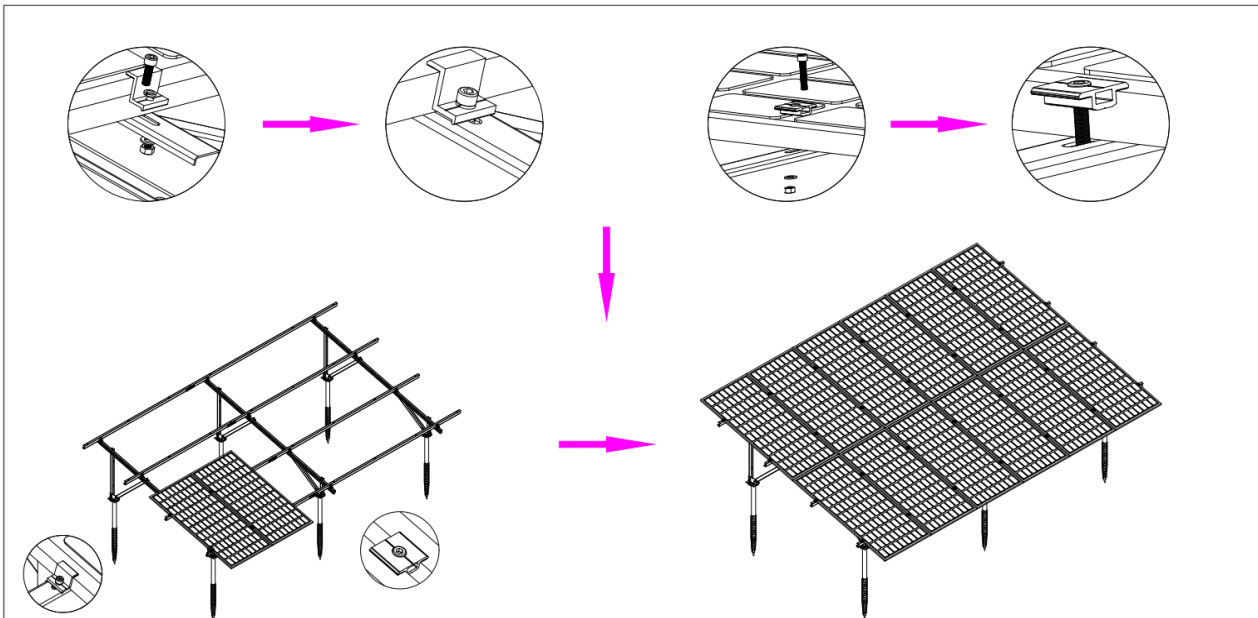
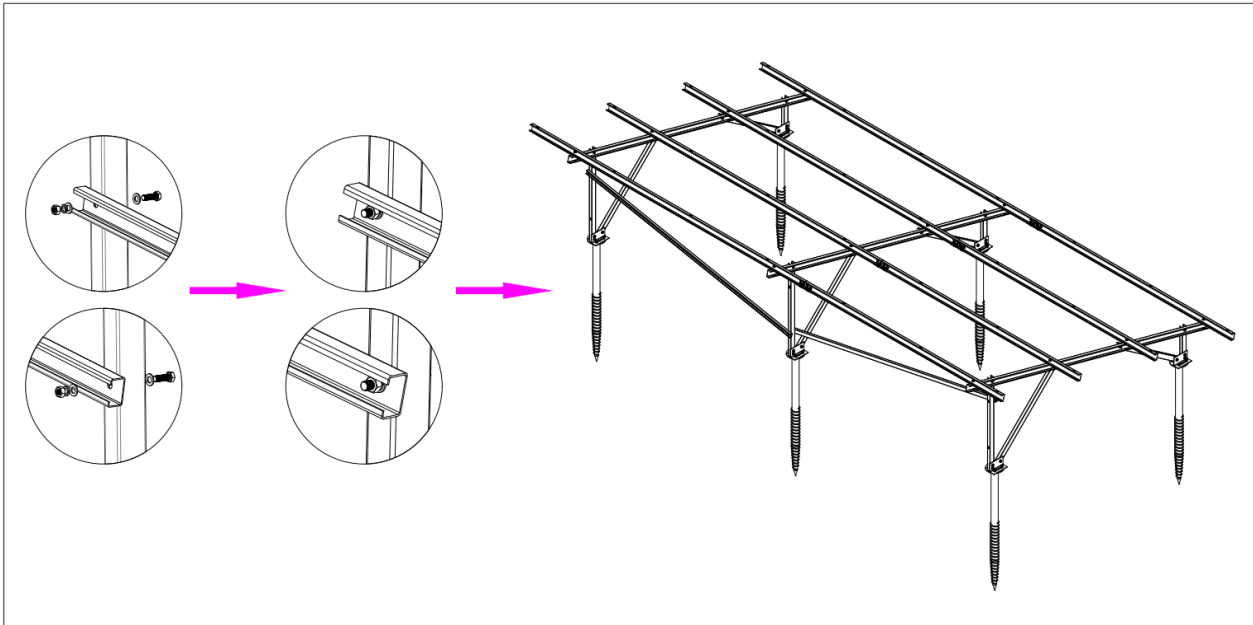
**Splicing:** When connecting purlins, secure the purlins in position first before installing and fastening the splice connectors.



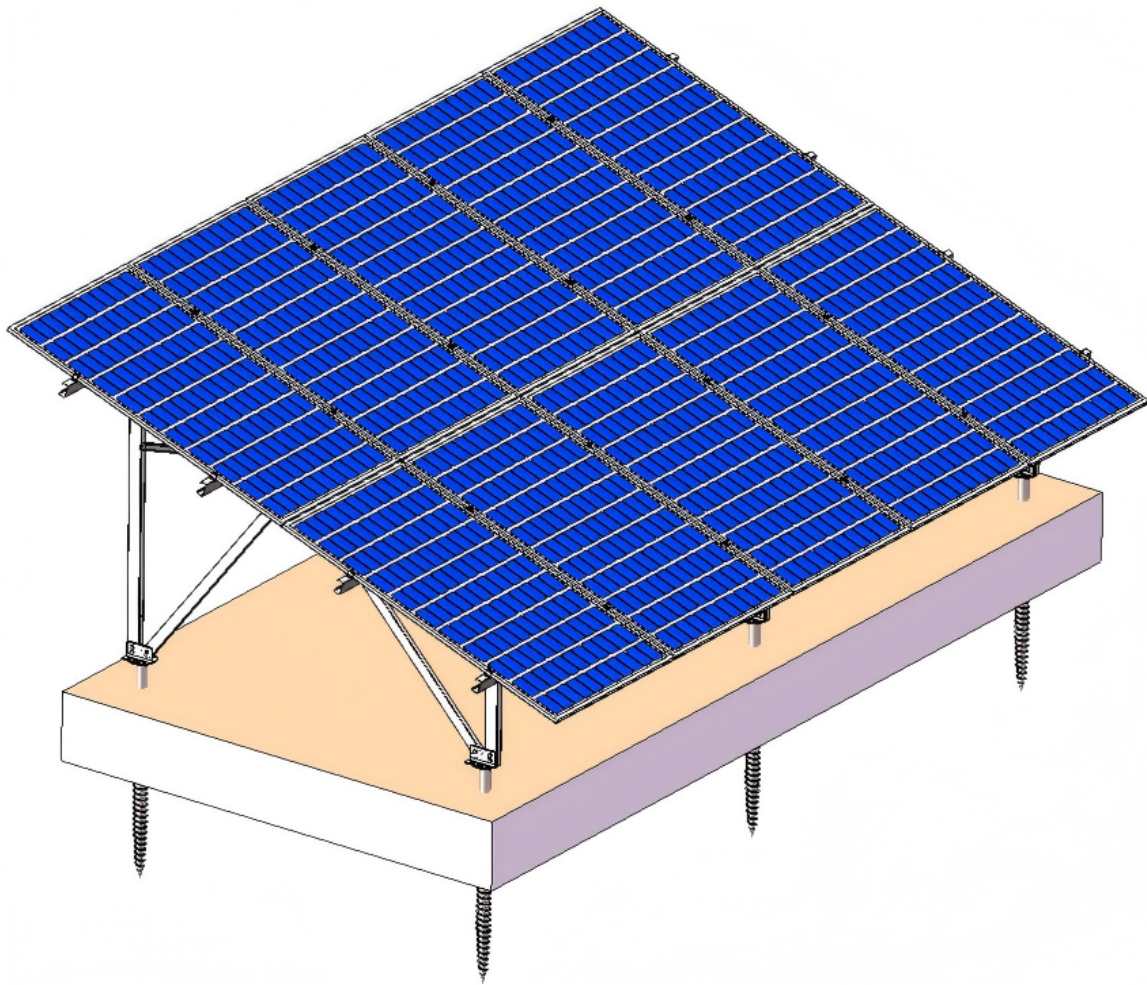
## 4: Rear Bracing and Module Installation

**Rear Bracing:** Fasten the rear bracing to the rear posts using bolts. Note: For the outermost spans, ensure the bracing is installed with the low point facing inward and the high point facing outward.

**Module Installation:** Pre-install the mid and end clamps onto the purlins. Slide the PV modules into their designated positions, then fully tighten the clamps to secure them.



# INSTALL COMPLETE



## 10 years limited product warranty, 5 years limited finish warranty

Xiamen Enerack Technology Co., Ltd("manufacturer") warrants to the original purchaser ("Purchaser") of product(s) that it manufactures ("Product") at the original installation site that the Product shall be free from defects in material and workmanship for a period of ten (10) years, except for the anodized finish, which finish shall be free from visible peeling, or cracking or chalking under normal atmospheric conditions for a period of ten five (10) years, from the earlier of 1) the date the installation of the Product is completed, or 2) 30 days after the purchase of the Product by the original Purchaser ("Finish Warranty").



The Finish Warranty does not apply to any foreign residue deposited on the finish. All installations in corrosive atmospheric conditions are excluded. The Finish Warranty is VOID if the practices specified by AAMA 609 & 610-02 – "Cleaning and Maintenance for Architecturally Finished Aluminum" ([www.aamanet.org](http://www.aamanet.org)) are not followed by Purchaser. This Warranty does not cover damage to the Product that occurs during its shipment, storage, or installation.

This Warranty shall be VOID if installation of the Product is not performed in accordance with Enerack's written installation instructions, or if the Product has been modified, repaired, or reworked in a manner not previously authorized by Enerack IN WRITING, or if the Product is installed in an environment for which it was not designed. Enerack shall not be liable for consequential, contingent or incidental damages arising out of the use of the Product by Purchaser under any circumstances.

If within the specified Warranty periods the Product shall be reasonably proven to be defective, then Enerack shall repair or replace the defective Product, or any part thereof, at Enerack's sole discretion. Such repair or replacement shall completely satisfy and discharge all of Enerack's liability with respect to this limited Warranty. Under no circumstances shall Enerack be liable for special, indirect or consequential damages arising out of or related to use by Purchaser of the Product.

Manufacturers of related items, such as solar modules and flashings, may provide written warranties of their own. Enerack's limited Warranty covers only its Product, and not any related items.



**Add:** 806-1, No. 12-3, Huasheng Road, Huli District, Xiamen, China

**Tel:** +86 - 592-5669285

**Web:** [www.enerack.com](http://www.enerack.com)